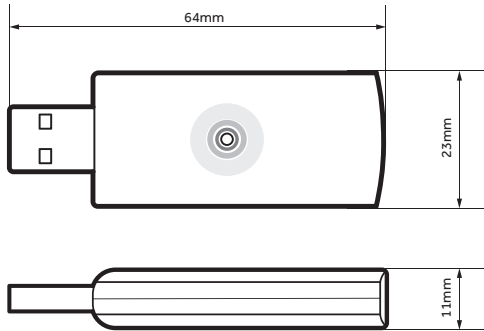


DREAM SIGNAL BOOSTER 191716



TECHNICAL SPECIFICATION

POWER INPUT: DC 4.8V - 5.2V	OPERATING TEMPERATURE: -5°C - 50°C
TRANSMITTING FREQUENCY: 433.925MHz	WORKING CURRENT: <20mA
TRANSMITTING POWER: 10mW	TRANSMISSION DISTANCE: up to 200m

