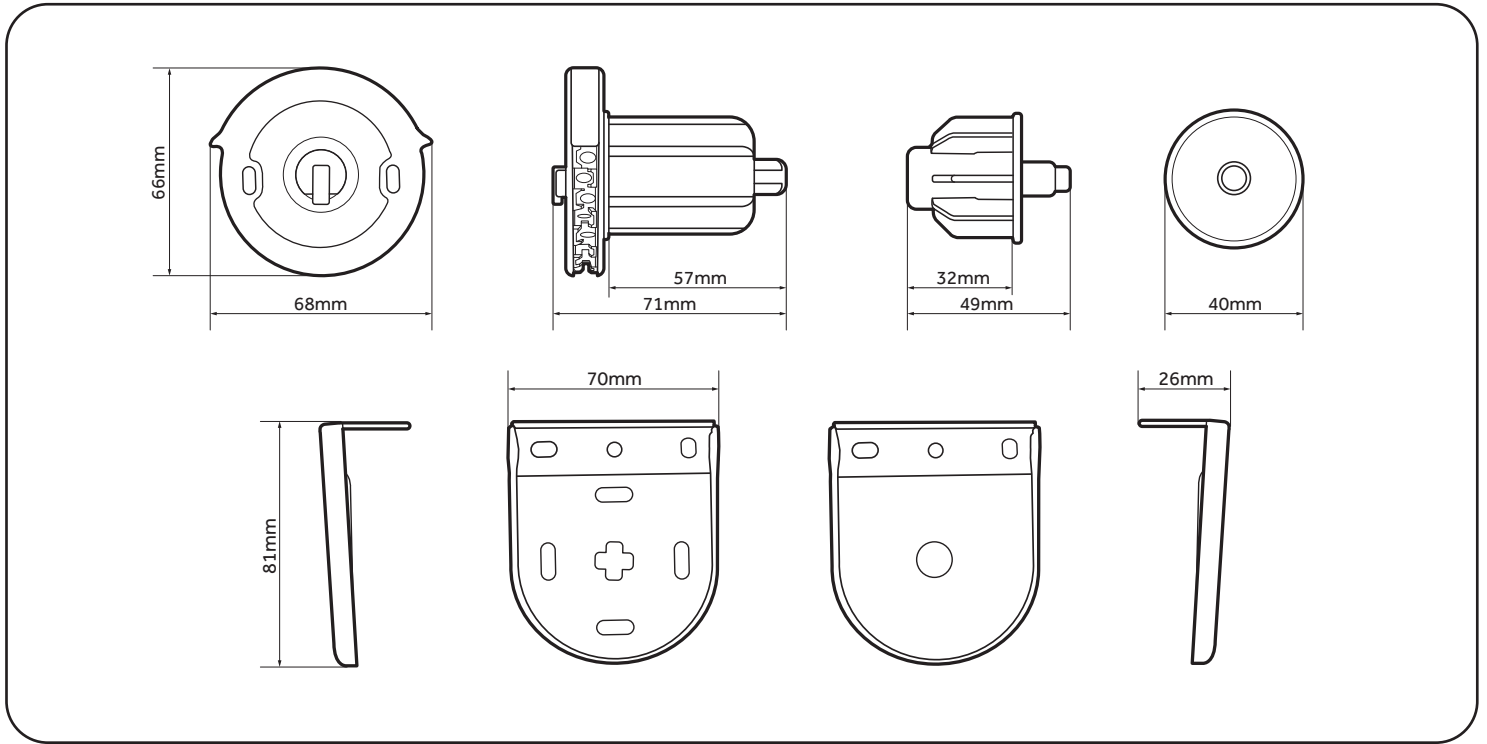
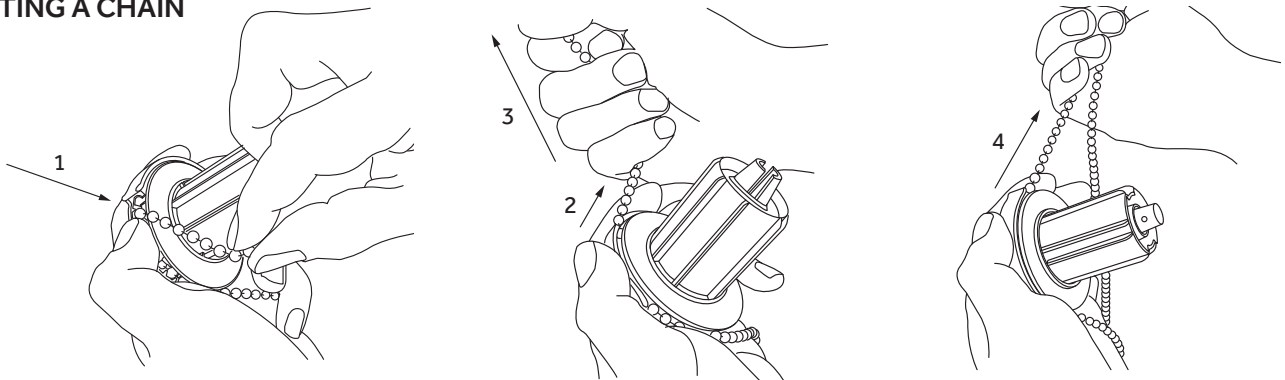


38mm ELITE ROLLER MECHANISM 401517



FITTING A CHAIN



FITTING MECHANISM INTO A TUBE

