

# DECORQUIP

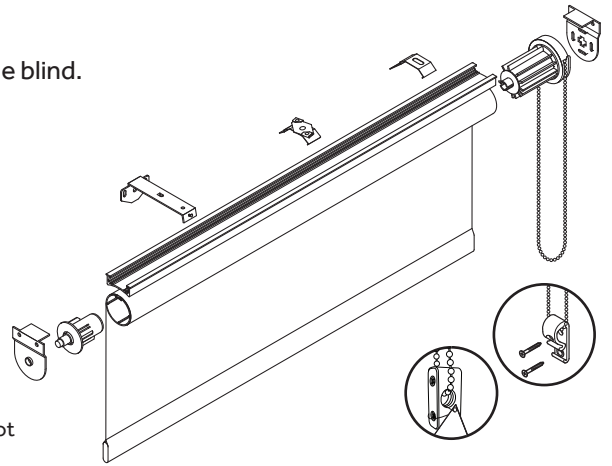
## Roller Blinds

Warning - the operating instructions must be read before operating the blind.

### Fitting Instructions

This procedure can be completed by non-professionals.

1. Decide whether you want to fit face fix or top fix.
2. Position the brackets in where you want to fit the blind.
3. If necessary, mark through the brackets with a pencil, and drill and plug holes for the screws.
4. Fix the brackets with suitable fixings. (Please note that screws and other fixings are not provided.) Fit the bracket covers (this includes when fitting in a recess).
5. Take the blind out of all the packaging and insert the pin into the round hole of the idle end bracket.
6. Hook the control end into the slotted bracket making sure that it is firmly clipped into place.
7. Remove the retaining strip of fabric holding the blind.
8. Fit the chain safety device (fixed tensioning device only) - see further instructions below and attached.



### For Blinds with a Back Bar

This procedure can be completed by non-professionals.

1. The blind will be supplied pre-fitted to the back bar.
2. Fit the brackets provided no more than 900mm apart with suitable fixings. If top fix brackets are provided, the lip must be facing the back of the window.
3. Fit the back bar into the brackets and remove the retaining strip of fabric holding the blind.
4. Fit the chain safety device (fixed tensioning device only) - see further instructions below and attached.

### Operating Instructions

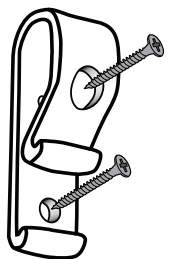
1. Pull the chain to open or close the blind.
2. Do not lift the blind up further than necessary as pulling the blind up to far can damage the blind.

### Care Instructions

1. Wiping the blind with a soft brush or duster is usually sufficient.
2. If necessary, Blinds can be wiped clean with a mild detergent and warm water. Leave in the open position to dry.
3. Do not make alterations to the blind, chain or safety device.

### Fitting the Safety Device: 'P' Clip 400990

1. Once the headrail has been fitted, position the 'P' Clip at the maximum distance possible from the control mechanism to prevent the looped pull chain becoming slack.
2. Make a mark through the screw holes.
3. Move the device to one side and using the marks made in step 2, drill and plug the holes.
4. Fix into position so that the device is securely mounted.

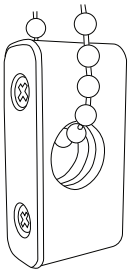


**Children can be strangled if this safety device is not installed.  
Always use this device to keep cords or chains out of reach of children.**

# DECORQUIP

## Fitting the Safety Device: PermaHold 400978

1. Once the headrail has been fitted, position the PermaHold Device at the maximum distance possible from the control mechanism to prevent the looped pull chain becoming slack.
2. Make a mark through the screw holes.
3. Move the device to one side and using the marks made in step 2, drill and plug the hole.
4. Fix into position so that the spring in the device is fully compressed and the device is securely mounted. No.6 counter sunk screws are required.

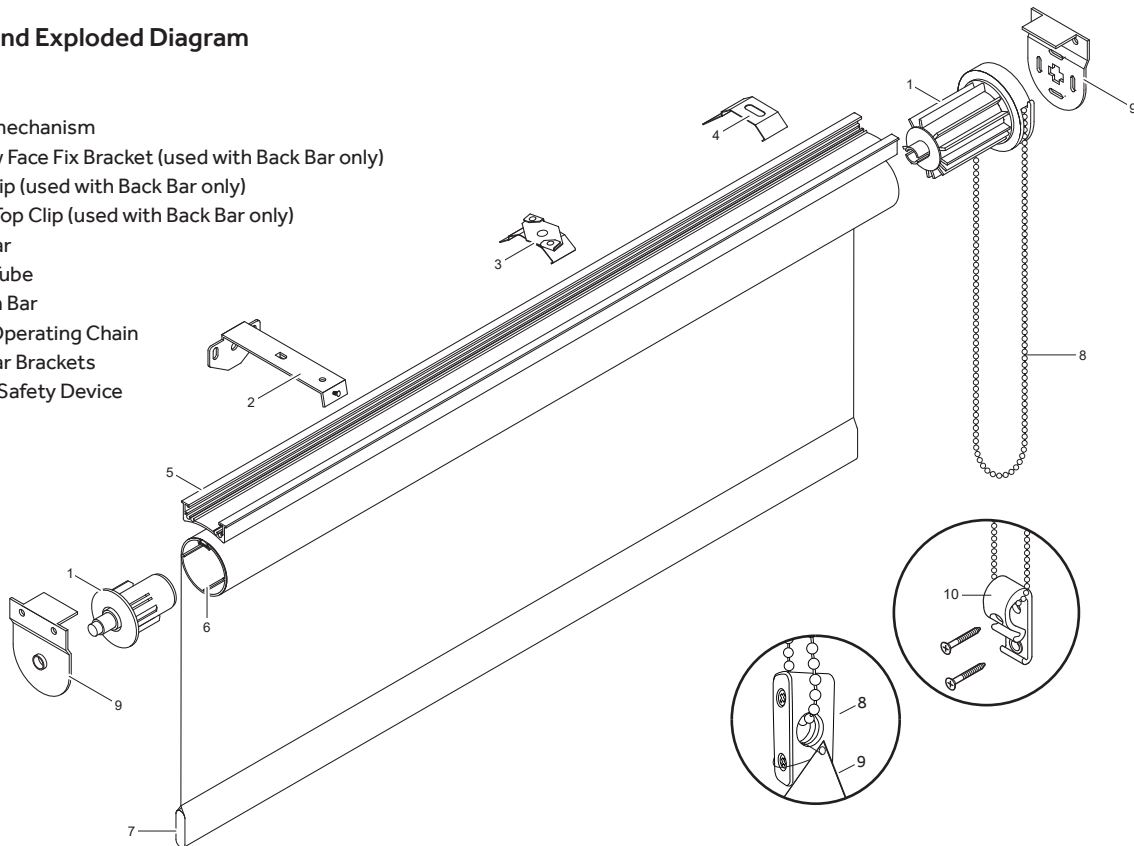


**Children can be strangled if this safety device is not installed.  
Always use this device to keep cords or chains out of reach of children.**

## Roller Blind Exploded Diagram

Key:

1. Roller mechanism
2. Shallow Face Fix Bracket (used with Back Bar only)
3. Suss Clip (used with Back Bar only)
4. White Top Clip (used with Back Bar only)
5. Back Bar
6. Roller Tube
7. Bottom Bar
8. Metal Operating Chain
9. Back Bar Brackets
10. 'P' Clip Safety Device

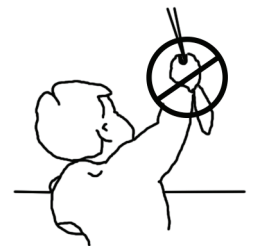


# WARNING



Young children can be strangled by loops in pull cords, chains, tapes and inner cords that operate the product.

To avoid strangulation and entanglement, keep cords out of the reach of young children. Cords may become wrapped around a child's neck.



Move beds, cots and furniture away from window covering cords.

Do not tie cords together. Make sure cords do not twist and create a loop.

Always fit the chain and rear cord safety devices.